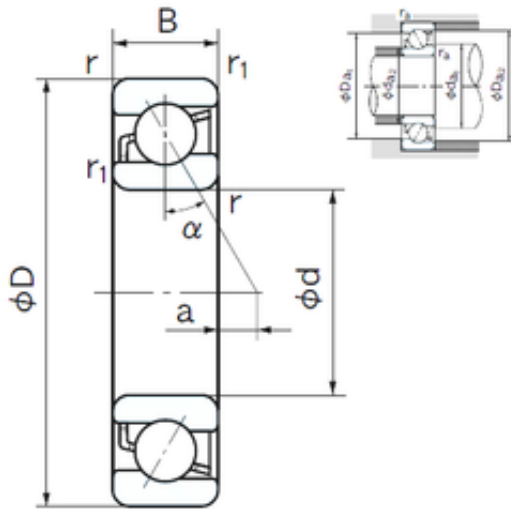




SGS BEARINGS IMPORT LTD.



100 mm x 180 mm x 34 mm NACHI 7220
angular contact ball bearings

Bearing No. 7220

7220 Bearing 2D drawings and 3D CAD models

Size	100x180x34 mm
Bore Diameter	100 mm
Outer Diameter	180 mm
Width	34 mm
d	100 mm
D	180 mm
B	34 mm
C	34 mm
Angle (°)	30 °
a	23.4 mm
r min.	2.1 mm
r1 min.	1.1 mm
da min.	112 mm
Da max.	168 mm
ra max.	2 mm
Weight	3.32 Kg
Basic dynamic load rating (C)	144 kN
Basic static load rating (C0)	126 kN
(Grease) Lubrication Speed	3200 r/min
Configuration	Single Row
Enclosure	Open
Bore Type	Cylindrical Bore
Bore Size	100 mm
Outside Diameter	180 mm
Width	34 mm



SGS BEARINGS IMPORT LTD.

Fillet Radius/Chamfer	2.1 mm
r1	1.1 mm
Dynamic Load Rating	144,000 N
Static Load Rating	126,000 N
Limiting Speed - Grease	3,200 rpm
Limiting Speed - Oil	4,200 rpm
da1 (min)	112 mm
da2 (min)	107 mm
Da1 (max)	168 mm
Da2 (max)	173 mm
ra (max)	2 mm
ra1 (max)	1 mm