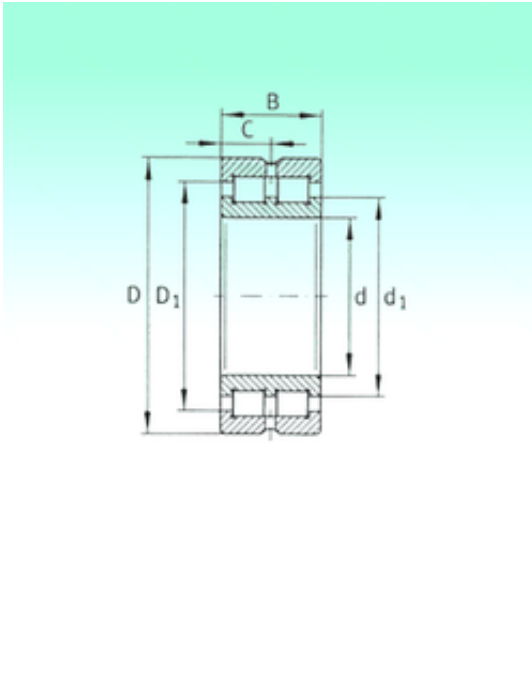




## SGS BEARINGS IMPORT LTD.



SL014922 Bearing 2D drawings and 3D CAD models

110 mm x 150 mm x 40 mm NBS SL014922  
cylindrical roller bearings

Bearing No. SL014922

Size	110x150x40 mm
Bore Diameter	110 mm
Outer Diameter	150 mm
Width	40 mm
d	110 mm
D	150 mm
B	40 mm
C	40 mm
d1	125 mm
C	20 mm
D1	133,6 mm
Weight	2,15 Kg
Basic dynamic load rating (C)	204 kN
Basic static load rating (C0)	410 kN