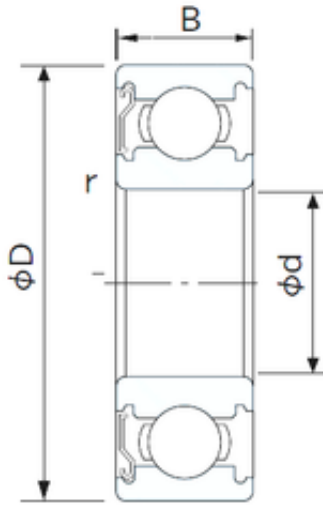




SGS BEARINGS IMPORT LTD.



12 mm x 32 mm x 10 mm CYSD 6201-Z deep groove ball bearings

Bearing No. 6201-Z

Size	12x32x10 mm
Bore Diameter	12 mm
Outer Diameter	32 mm
Width	10 mm
d	12 mm
D	32 mm
B	10 mm
C	10 mm
r min.	0,6 mm
Weight	0,03 Kg
Basic dynamic load rating (C)	6,82 kN
Basic static load rating (C0)	3,06 kN
(Grease) Lubrication Speed	22000 r/min

6201-Z Bearing 2D drawings and 3D CAD models