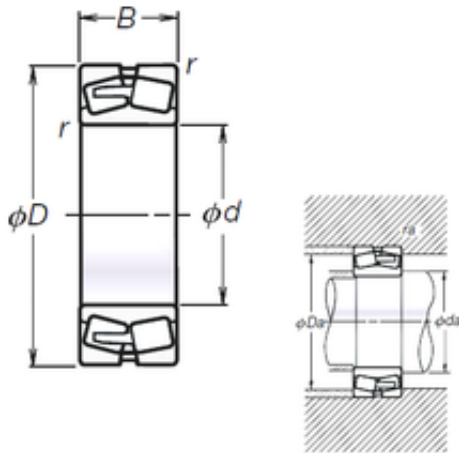




# SGS BEARINGS IMPORT LTD.



140 mm x 210 mm x 53 mm NSK  
TL23028CDE4 spherical roller bearings

Bearing No. TL23028CDE4

Size	140x210x53 mm
Bore Diameter	140 mm
Outer Diameter	210 mm
Width	53 mm
d	140 mm
D	210 mm
B	53 mm
C	53 mm
r min.	2 mm
da min.	150 mm
da max	157 mm
Da min	200 mm
Da max.	190 mm
ra max.	2 mm
Weight	6,49 Kg
Basic dynamic load rating (C)	420 kN
Basic static load rating (C0)	715 kN
(Grease) Lubrication Speed	1 600 r/min
(Oil) Lubrication Speed	1 900 r/min
Calculation factor (e)	0,22
Calculation factor (Y0)	2,9
Calculation factor (Y2)	4,5

TL23028CDE4 Bearing 2D drawings and 3D CAD models