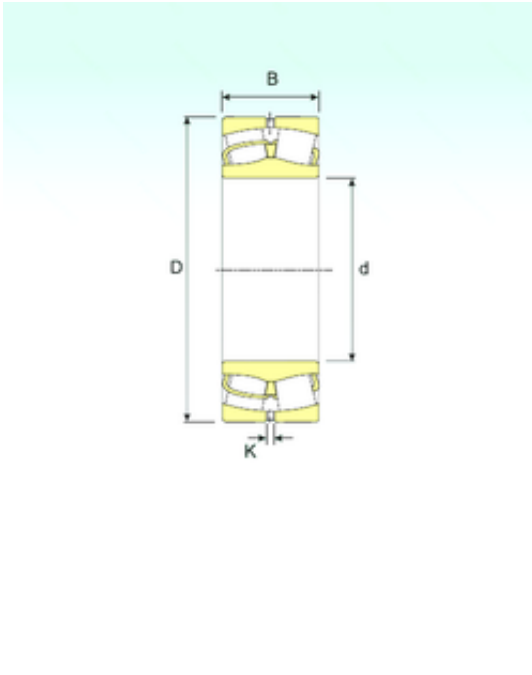




SGS BEARINGS IMPORT LTD.



22328 Bearing 2D drawings and 3D CAD models

140 mm x 300 mm x 102 mm ISB 22328
spherical roller bearings

Bearing No. 22328

Size	140x300x102 mm
Bore Diameter	140 mm
Outer Diameter	300 mm
Width	102 mm
d	140 mm
D	300 mm
B	102 mm
C	102 mm
K	9 mm
Weight	36,5 Kg
Basic dynamic load rating (C)	1264 kN
Basic static load rating (C0)	1529 kN
(Grease) Lubrication Speed	1683 r/min